

Origin Bar Top Windows

Origin's Bar Top Windows are the perfect solution for a pass-through service between interior and exterior environments. With options that allow coordination with any architectural style, these windows expand living areas to the outdoors, while maintaining solid thermal and security performance ratings.



origin

DOORS AND WINDOWS

Origin Bar Top Windows...

Features and Benefits...



Hurricane Resistant...

The Origin Bar Top Window is one of the few window systems to meet Florida's rigorous High Velocity Hurricane Zone (HVHZ) testing standards and retain high levels of thermal performance.



Thermally efficient...

The Origin Bar Top Window has been engineered to optimize their weather rating and can achieve a U-Factor as low as 0.28, which can help to reduce your energy bills and means that rooms will be usable all year.



Safe and Secure...

Our Bar Top Windows benefits from the same safety features as our Bi-fold Doors, including finger safe gaskets and strong magnetic catches, to prevent little fingers getting trapped and to stop the windows from slamming.



100s of colors...

Origin pride themselves on the customization elements we offer for you to create your dream window. The Bar Top Window is available in 100s of colors, so whatever the property style or personal taste, we have a color to suit.



10-year warranty...

Our uncompromising quality control and precision engineering at each stage of the manufacturing process combines to allow us to confidently offer a 10-year warranty on all Origin products.



Quiet and efficient operation...

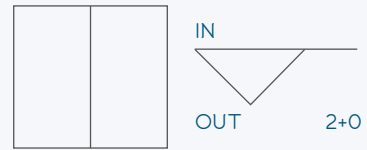
The Origin Bar Top Window utilizes a slim line trolley, which is designed to ensure a quiet and efficient operation, meaning with a gentle push, a whole new living space is revealed.



Specification

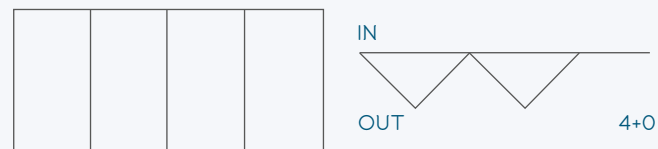
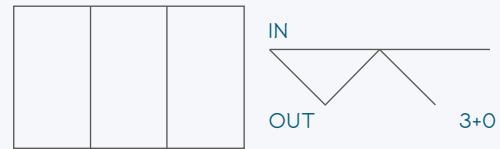
Minimum panel size	19.5" x 19.5"
Maximum panel size	36" x 72"
Maximum overall height	77"
Configurations	Up to 10 panel configurations are available
Warranty	10 years
Thermal performance	Certified U-Factor as low as 0.28

Configurations...

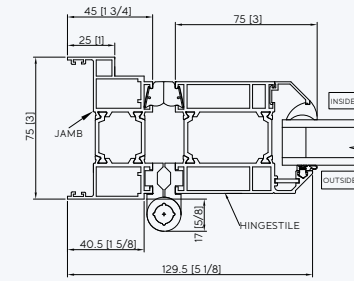


3+0 and 5+0 configurations are only available as open out

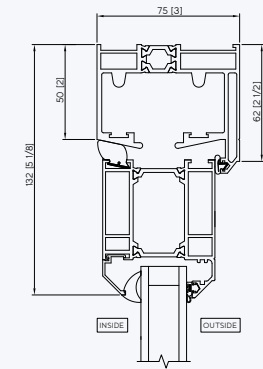
2+0, 4+0, 6+0, 8+0 and 10+0 are available as either open in or open out



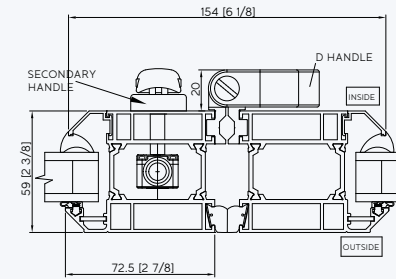
Technical Drawings...



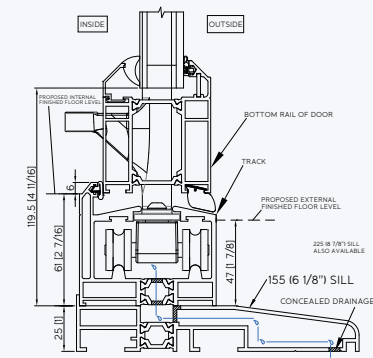
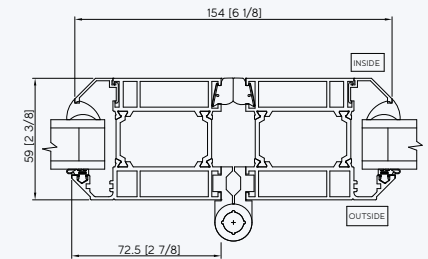
Hinge Jamb Detail



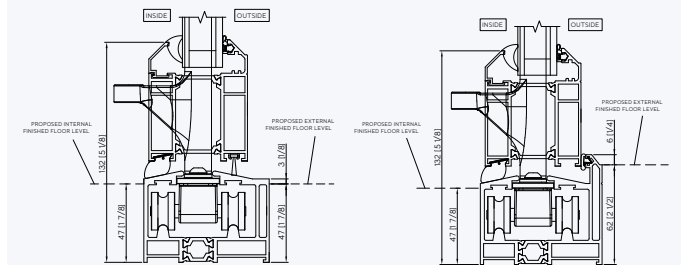
Top Track Detail



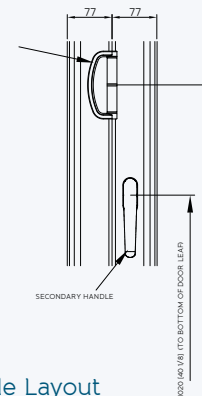
Opening Stiles



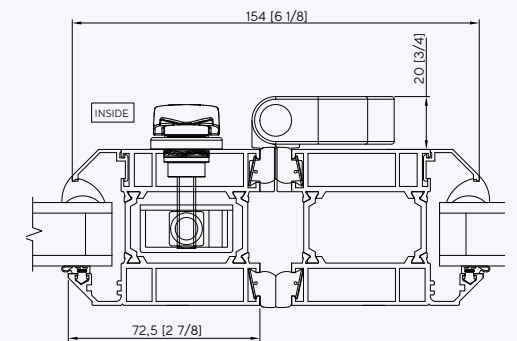
Standard Threshold with Optional Sill Detail



Non-weathered Thresholds (open in and out)



Secondary Handle Layout



Keyed Locking Secondary